



# AIR DRYER STAINLESS SERIES

WAD SS SERIES

**RISHENG®**

# AIR DRYER STAINLESS SERIES (32-141CFM) WAD SS Series

Westair Pneumatic Systems has teamed up with Risheng to introduce to Australia the quality made, reliable, compact and affordable WAD-SS Series refrigerated air dryers.

## FEATURES INCLUDE:

- Small compact design
- Energy efficient features
- Stainless steel heat exchanger (suitable for food and pharmaceutical industries)
- Easy and simple to read dew point display/ indicator
- Eco friendly refrigerant
- Multiple overload protections
- Anticorrosive coating
- Easy access for maintenance
- Latest CE Certification



**RISHENG®**

## TECHNICAL SPECIFICATION:

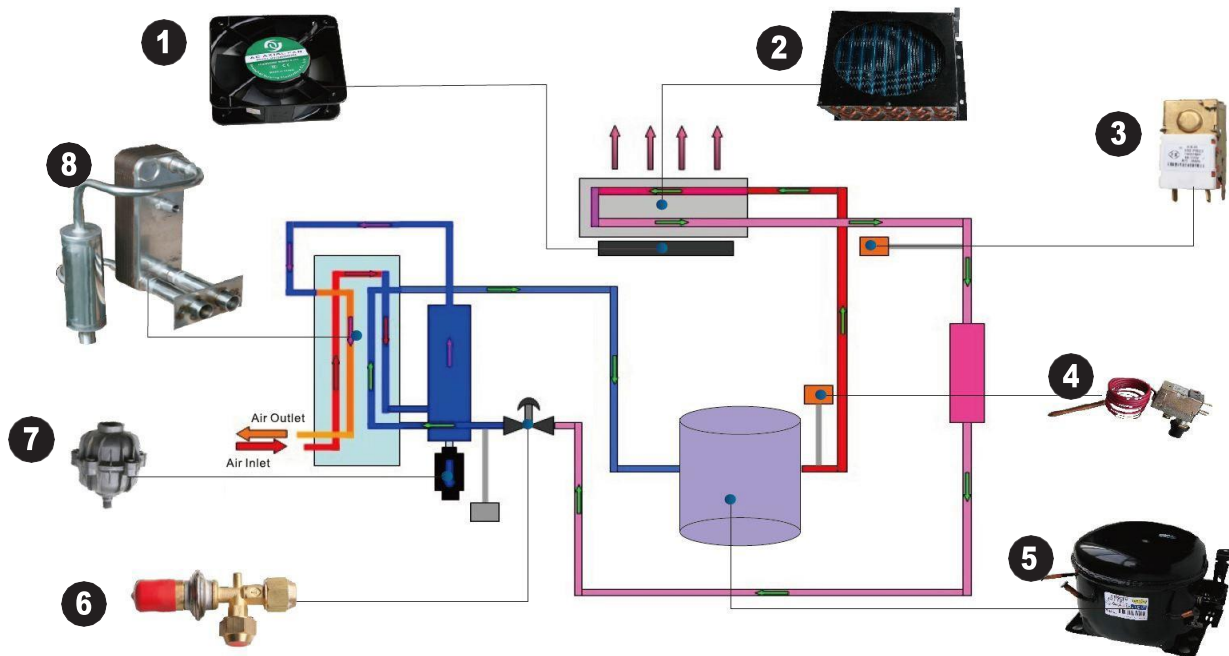
- Capacity range: 32-141CFM
- Working pressure:  $\leq 2.0$  MPa (20 bar)
- Max. inlet temperature: 60°C
- Max. ambient temperature: 50°C
- Min. ambient temperature: 5°C
- Cooling type: air
- Power supply: 220V/ 1Ph/ 50Hz
- Refrigerant: R134a
- Dew point: 2-5°C

## ENERGY EFFICIENT STAINLESS STEEL HEAT EXCHANGER



The stainless steel heat exchanger has the latest advanced plate-fin structure technology which greatly reduces the evaporation load and in turn reduces the power consumption of the pump by up to 30% over a standard dryer. All WAD-SS Series refrigerant dryers are fitted with stainless steel heat exchangers, water separators, air connection pipes and fittings. This avoids secondary contamination in the compressed air which makes this dryer the perfect choice for use in the food and pharmaceutical sector.

## PARTS AND ADVANTAGES



### 1. FAN MOTOR

Compact design, low noise, large air flow and low power consumption.

### 2. AIR CONDENSER

Supplied with a Nano anticorrosive hydrophilic coating for extended life.

### 3. FAN PRESSURE SWITCH

Stops and starts fan to prevent freezing up and reduce energy consumption.

### 4. TEMPERATURE SENSOR/PROTECTION SWITCH

Protect and shuts down the dryer if overloaded or leaking gas.

### 5. PUMP

Reliable and low noise, fitted with an overload and thermal protection.

### 6. HOT-GAS BYPASS VALVE

Stabilises the dryer's dew point to 3/5°C and avoids freezing up in the heat exchanger.

### 7. AUTOMATIC DRAIN

Zero air loss float drain fitted with isolation valve.

### 8. HEAT EXCHANGER

Stainless steel fitted with the latest advanced plate fin structure technology for maximum heat efficiency.

## TECHNICAL SPECIFICATION

MODEL	M <sup>3</sup> /MIN	CFM	POWER SUPPLY (V/Ph/Hz)	NOMINAL POWER (kW)	OUTLET SIZE	DRAIN (mm)	DIMENSIONS (mm) (L x W x H)	WEIGHT (KG)
WAD-09-SS	0.9	32	240/1/50	0.26	Rc 1/2"	ø6	500 x 250 x 500	25
WAD-15-SS	1.5	53		0.45			600 x 310 x 500	30
WAD-18-SS	1.8	64		0.46			750 x 360 x 550	50
WAD-24-SS	2.4	85		0.47	55			
WAD-40-SS	4.0	141		0.65	Rc 3/4"			



**COMPRESSOR TECHNOLOGY QLD**

23-27 Victor Street

Boronia Heights

QLD 4124

Ph: (07) 3133 3527

Email: [sales@ctgroup.com.au](mailto:sales@ctgroup.com.au)

[www.ctgroup.com.au](http://www.ctgroup.com.au)