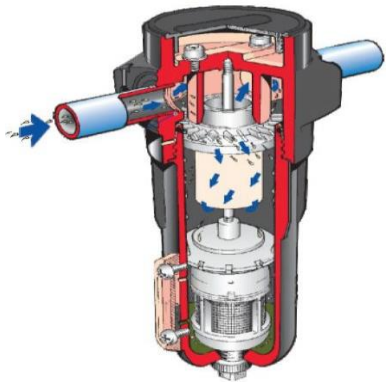




WS WATER SEPERATOR

WESTAIR PNEUMATIC SYSTEMS PROVIDES QUALITY WATER SEPERATORS TO FULFIL YOUR CONDENSATION MANAGEMENT NEEDS.



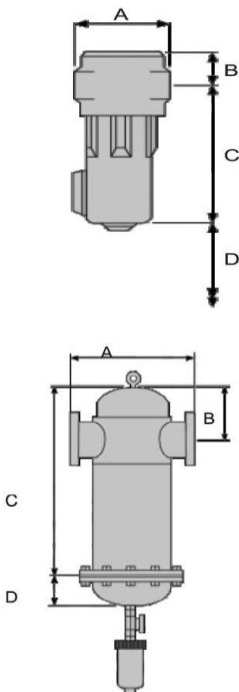
KEY FEATURES

- Cost saving
- High flow rate
- Equipped with automatic drainer
- Low differential pressure

TECHNICAL DATA

- Rated working pressure: 0.8 Mpa
- Max. working pressure: 0.95 Mpa (flange model)
- Max. working pressure: 1.6 Mpa (thread model)
- Max. working temperature: 66°C
- Min. working pressure: 1.5°C
- Differential pressure: 0.007 Mpa

WS SEPERATOR MODEL



MODEL	m ³ /min	CFM	PIPE SIZE	DIMENSION				
				A	B	C	D	Kg
WS-15G	2.4	85	G ½"	89	42	158	60	1.0
WS-25G	3.6	127	G ¾"	89	42	194	60	1.1
WS-50G	4.5	159	G 1"	85	23	197	60	1.1
WS-100G	10.0	353	G 1 ½"	120	58	251	80	2.7
WS-250G	25.0	883	G 2"	160	67	511	100	5.9
WS-700G	42.0	1483	G 2 ½"	202	79	603	100	12.5
WS-800G	48.0	1695	G 3"	202	79	603	100	12.9
WS-1000F	60.0	2119	DN100	450	201	805	113	92.0
WS-1800F	120	4238	DN150	580	273	835	164	160
WS-3000F	180.0	6357	DN200	750	361	920	215	348
WS-4800F	288.0	9888	DN250	740	410	1010	241	510

TOP: WS15G - WS100G
 BOTTOM: WS250G – WS4800F